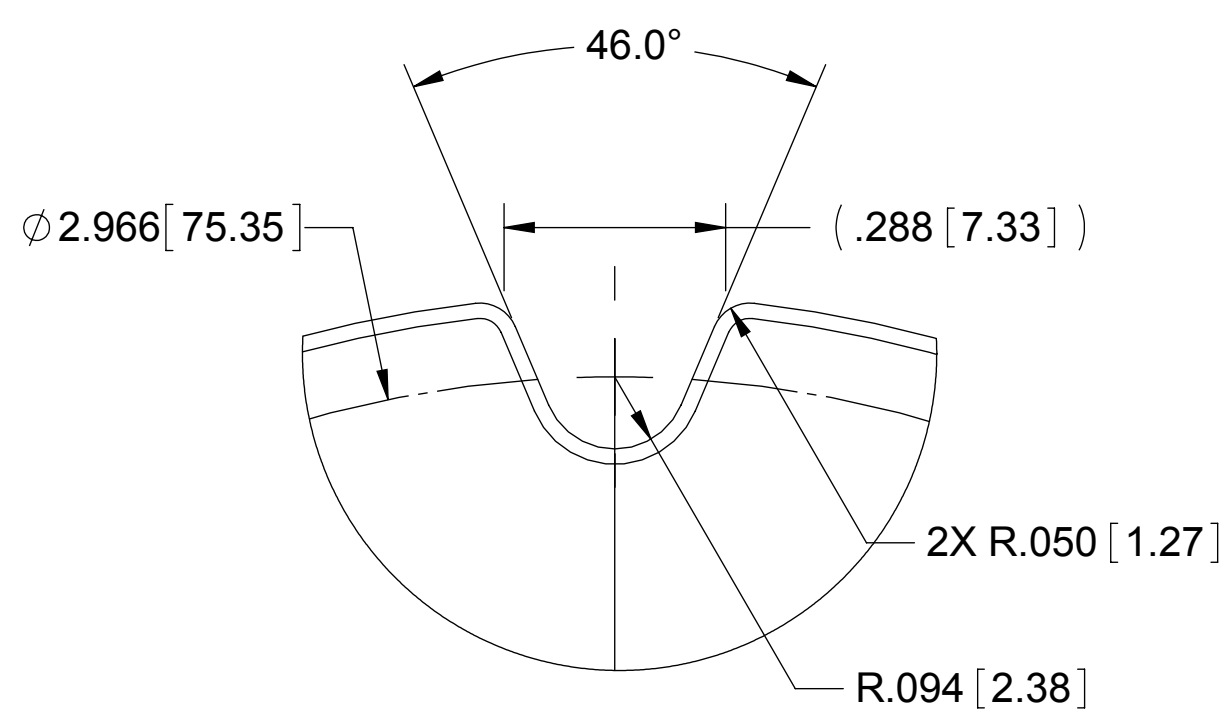
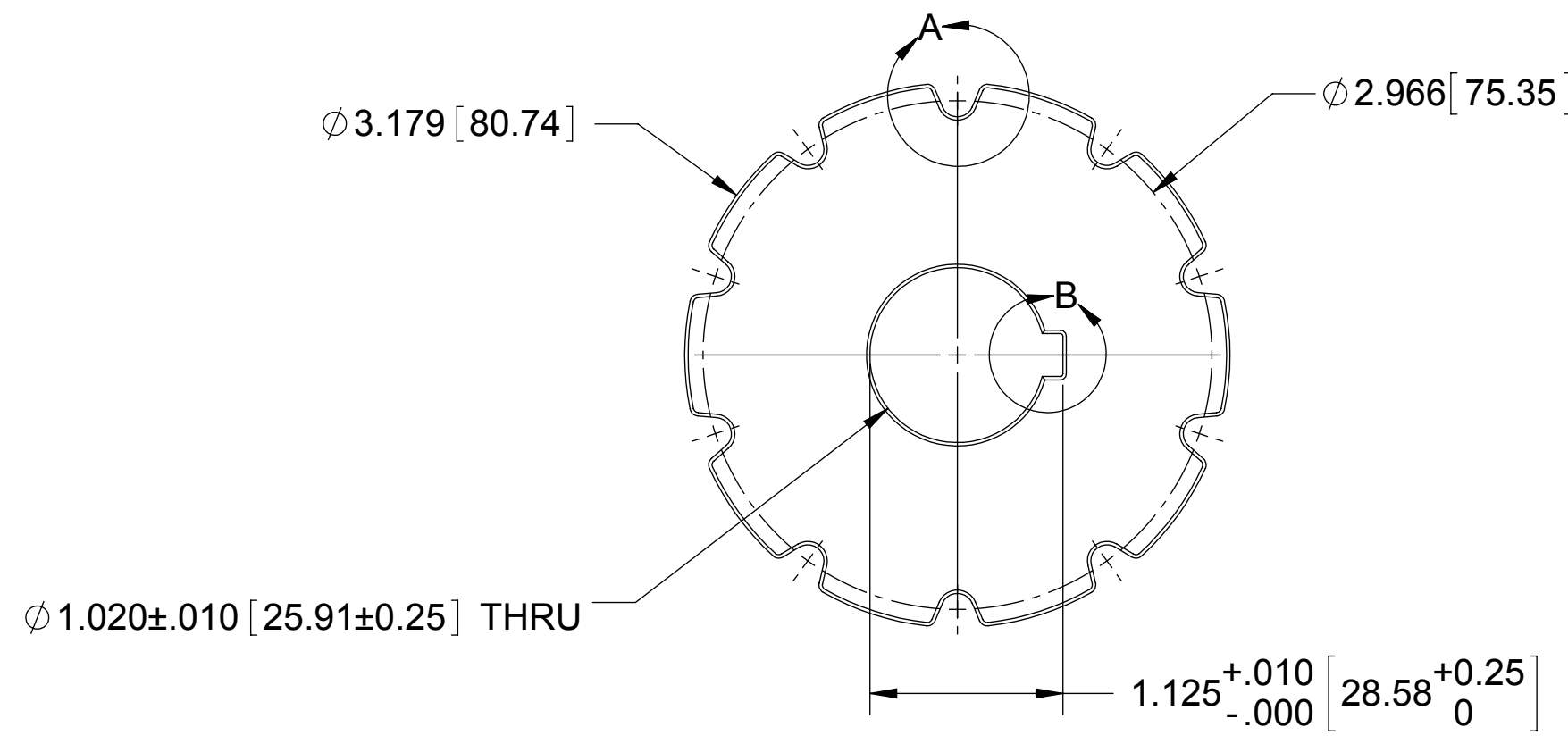
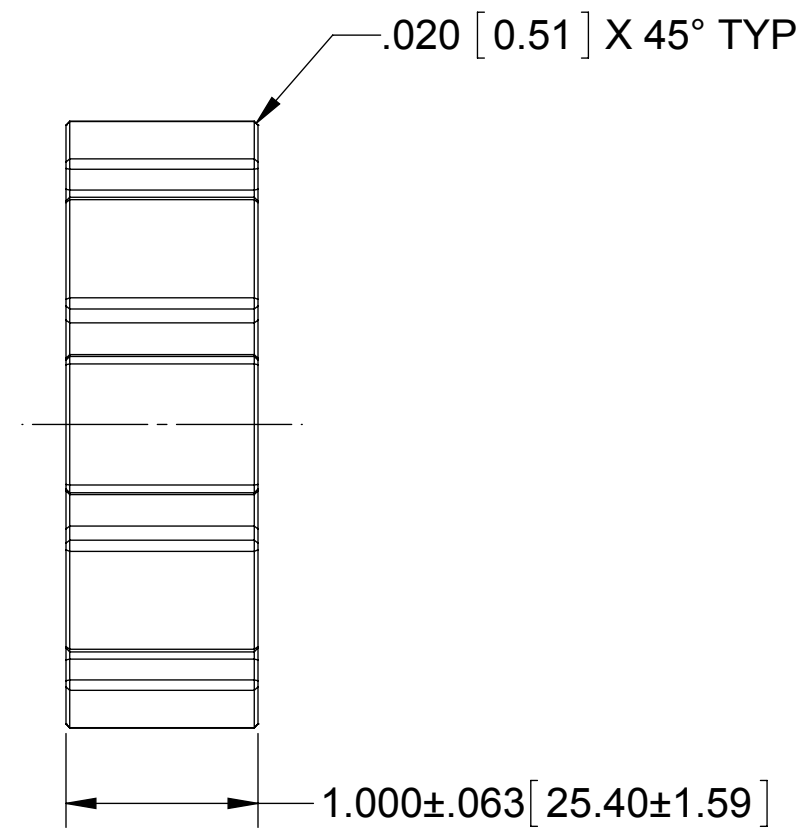
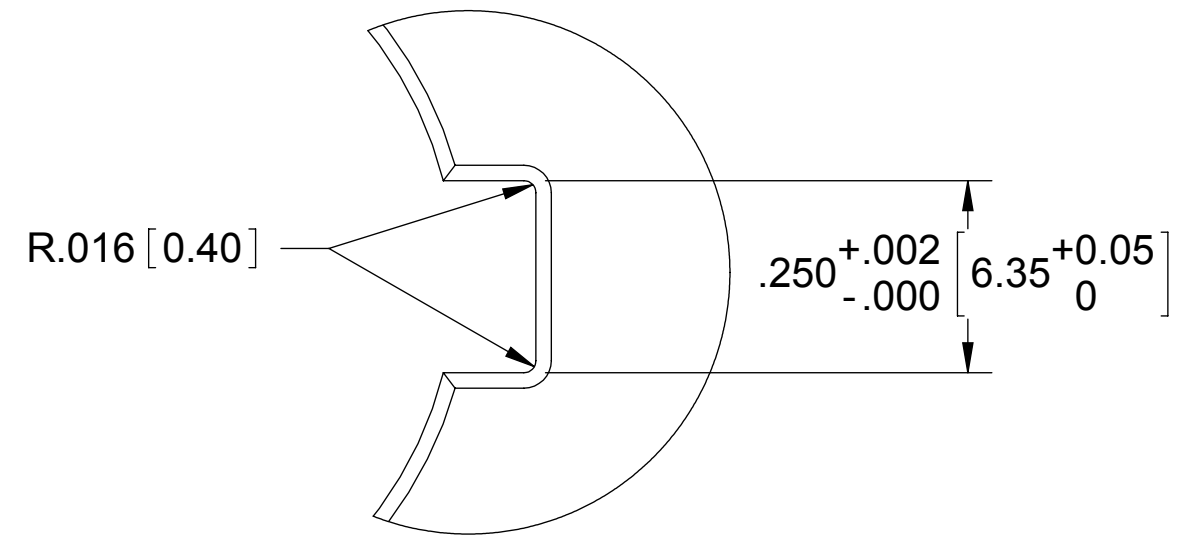


THIS DRAWING OR SPECIFICATIONS CONSTITUTES THE CONFIDENTIAL INFORMATION OF GATES-MECTROL. A TOMKINS COMPANY AND ITS RECEIPT OR POSSESSION DOES NOT CONVEY ANY RIGHT IN OR LICENSE TO USE IT OR THIS INFORMATION DISCLOSED HEREIN NOR ANY RIGHT TO REPRODUCE THIS DRAWING OR SPECIFICATION NOR ANY PART HEREOF WITHOUT THE WRITTEN CONSENT OF GATES-MECTROL, A TOMKINS COMPANY



DETAIL A  
SCALE 4 : 1  
GROOVE GEOMETRY  
IS TYPICAL



DETAIL B  
SCALE 4 : 1

NOTES:  
1. REMOVE ALL BURRS AND SHARP EDGES.

<p>THIRD ANGLE PROJECTION</p>	<p><b>Gates-MECTROL</b> A Tomkins Company</p>	DRAWN	MWS
		SCALE	DATE
<p>TOLERANCES UNLESS OTHERWISE NOTED</p> <p>FRACTIONAL: ±1/64" ANGULAR: ±1/2° FINISH: 32 RMS</p> <p>DECIMAL TOLERANCES: INCHES (MILLIMETERS)</p> <p>.XX [X.X]: ±.02 [0.5] .XXX [X.XX]: ±.010 [0.25]</p>	<p>10 TOOTH POSICLEAN 10 ROUND ENGLISH BORE PULLEY</p>	CHECKED	DATE
		MATERIAL	UHMW
		FINISH	
SHEET 1 OF 1	<b>C</b> PRE10PC10100FU	REV	-