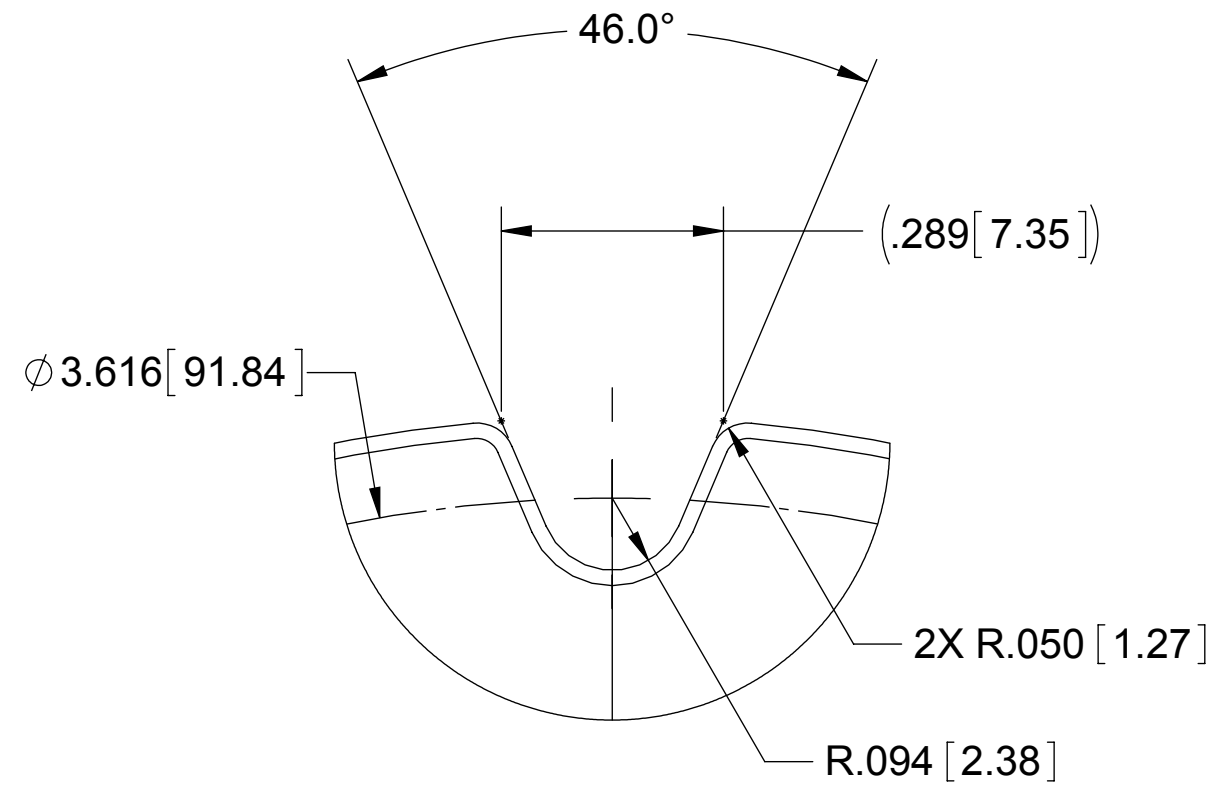
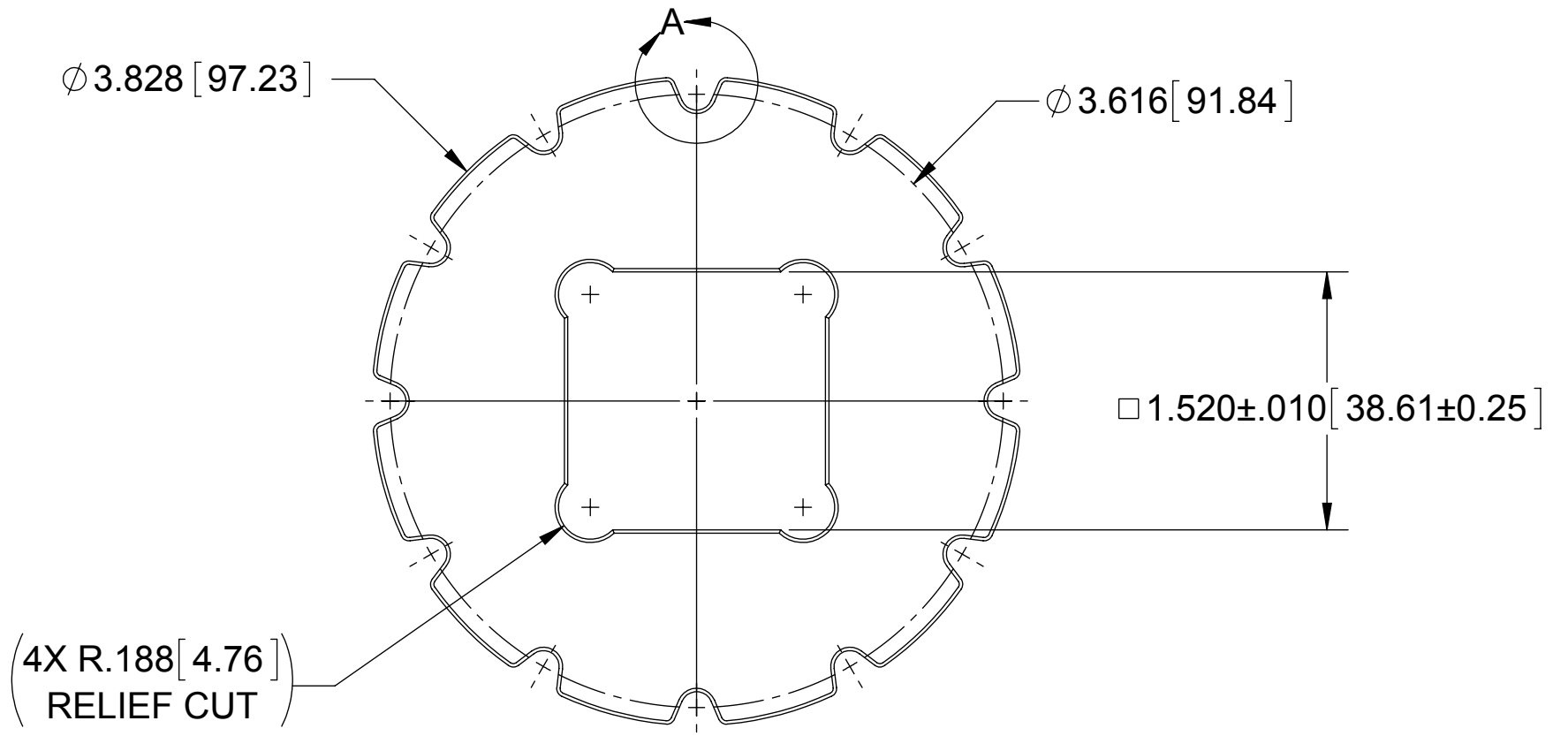
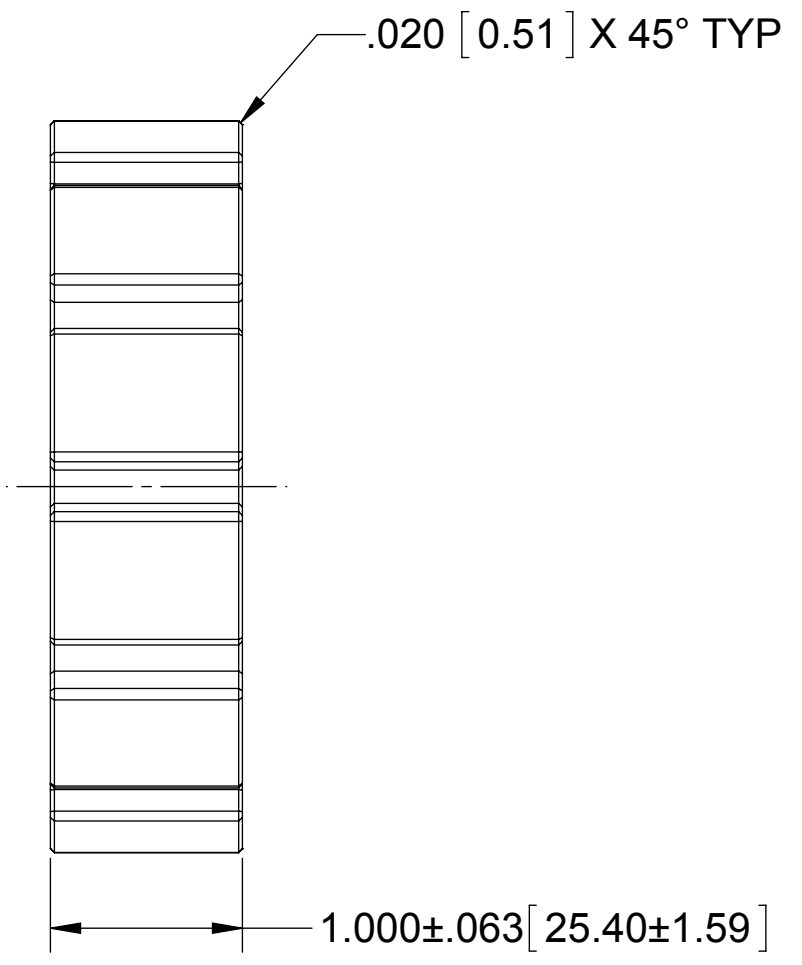


THIS DRAWING OR SPECIFICATIONS CONSTITUTES THE CONFIDENTIAL INFORMATION OF GATES-MECTROL. A TOMKINS COMPANY AND ITS RECEIPT OR POSSESSION DOES NOT CONVEY ANY RIGHT IN OR LICENSE TO USE IT OR THIS INFORMATION DISCLOSED HEREIN NOR ANY RIGHT TO REPRODUCE THIS DRAWING OR SPECIFICATION NOR ANY PART HEREOF WITHOUT THE WRITTEN CONSENT OF GATES-MECTROL. A TOMKINS COMPANY



DETAIL A
SCALE 4 : 1
GROOVE GEOMETRY
IS TYPICAL

NOTES:
1. REMOVE ALL BURRS AND SHARP EDGES.

 THIRD ANGLE PROJECTION	 12 TOOTH POSICLEAN 10 SQUARE ENGLISH BORE PULLEY	DRAWN	MWS
		SCALE	DATE
TOLERANCES UNLESS OTHERWISE NOTED FRACTIONAL: ±1/64" ANGULAR: ±1/2° FINISH: 32 RMS DECIMAL TOLERANCES: INCHES (MILLIMETERS) .XX [X.X]: ±.02 [0.5] .XXX [X.XX]: ±.010 [0.25]	SHEET 1 OF 1	CHECKED	DATE
		MATERIAL	
		FINISH	
UHMW		REV	-

C PSE15PC10120FU